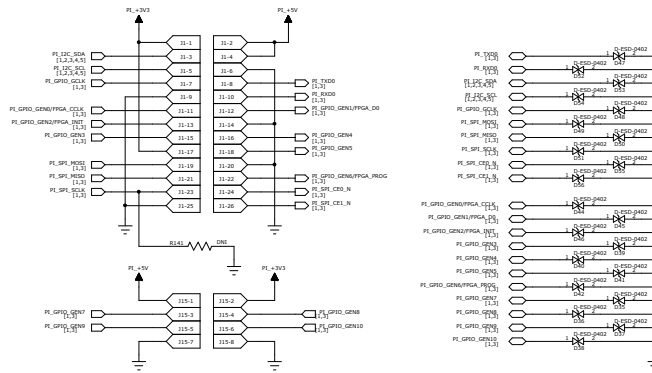
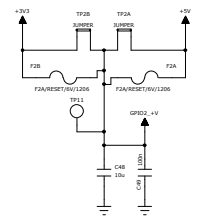
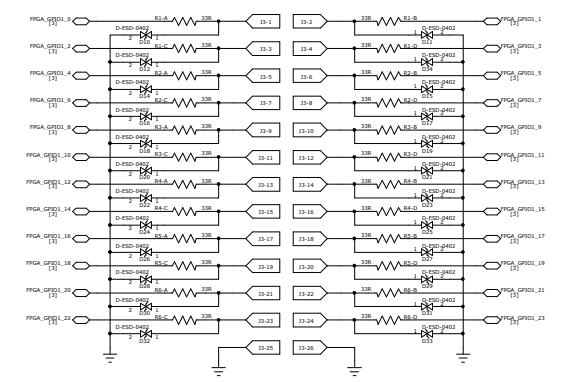


### RASPBERRY PI INTERFACE

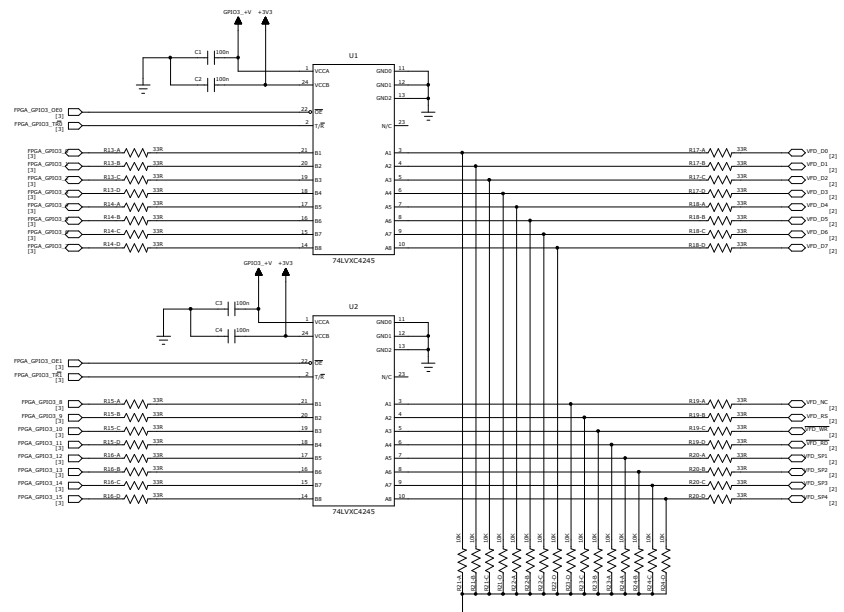


TITLE					
<b>PIXI-200</b>					
FIRST RELEASED	DRAWING NO.	DRAWN BY	SHEET	CHANGED	ISSUE
22/11/2012	PIXI-200	MC	1 OF 6	15/04/2014	1.1

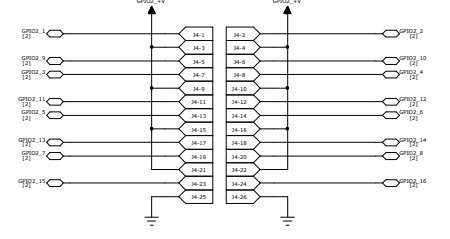
GPIO1 Connector (3V GPIO)



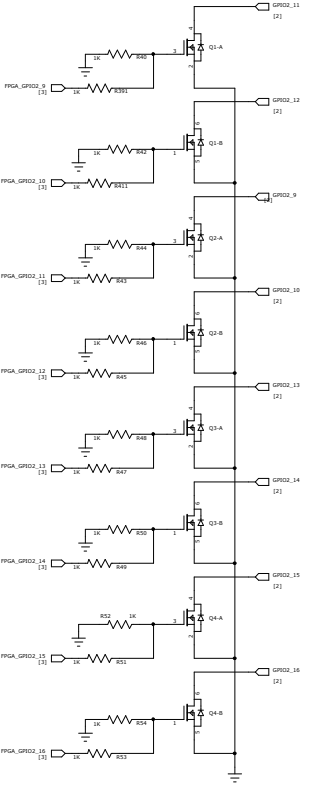
GPIO3 / LCD / VACUUM FLORESCENT DISPLAY (5V GPIO)



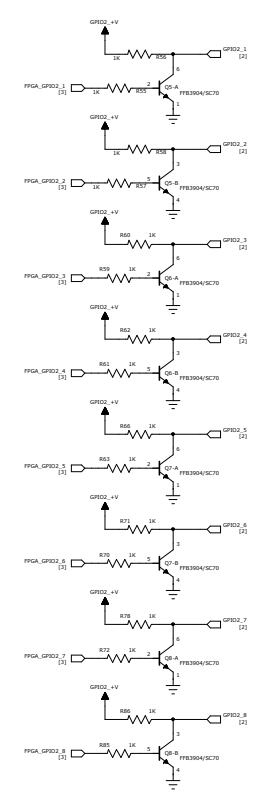
GPIO2 Connector (5V or 3.3V O-C Outputs)



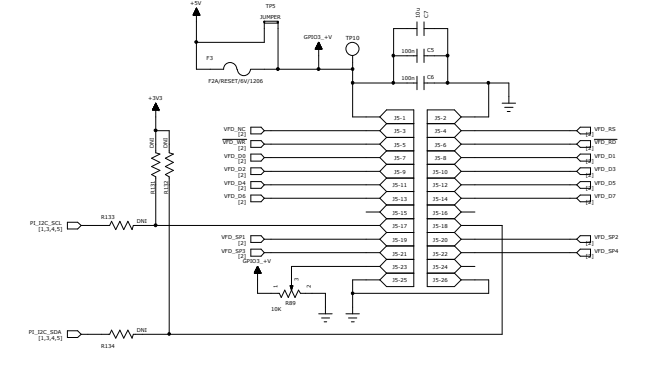
5V (2A) / O-C GPIO



5V / O-C GPIO



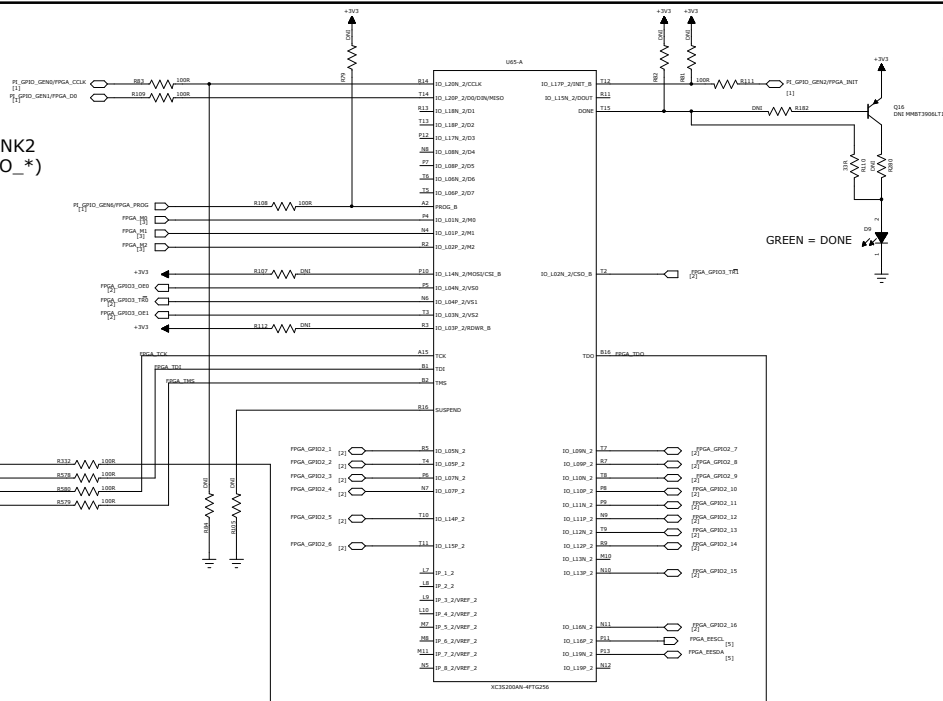
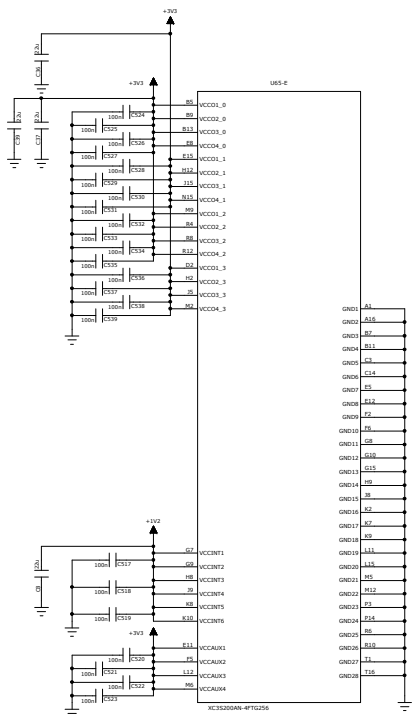
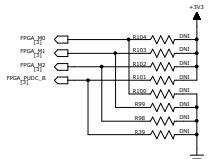
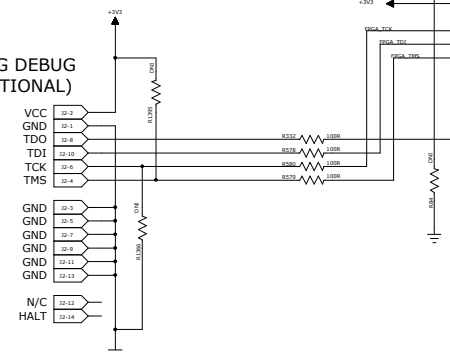
GPIO3 Connector (VFD / LCD / 5V GPIO)



TITLE					
<b>PIXI-200</b>					
FIRST RELEASED	DRAWING NO.	DRAWN BY	SHEET	CHANGED	ISSUE
22/11/2012	PIXI-200	MC	2 OF 6	15/04/2014	1.1

**Bank2 (Bottom) User IOs**  
**GPIO2\* Fully swappable within BANK2**  
**(DO NOT USE Pins IP\_\*, use only IO\_\*)**

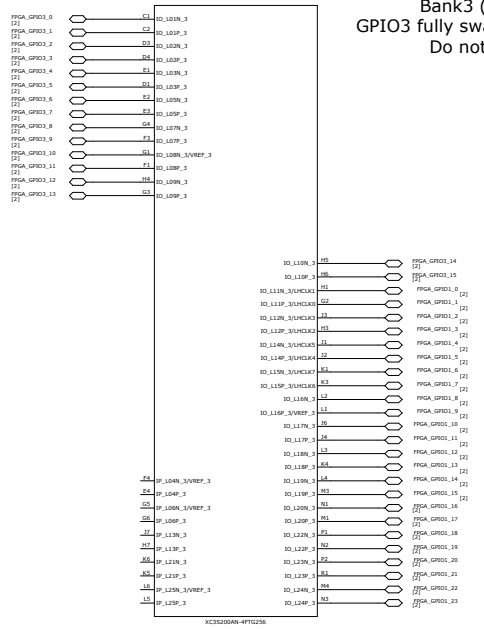
**JTAG DEBUG (OPTIONAL)**



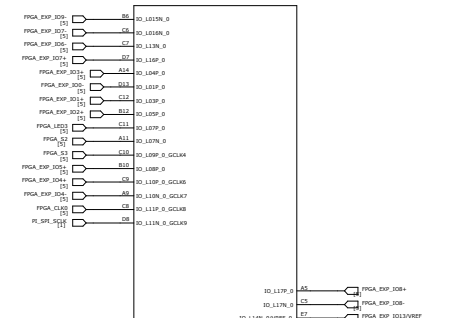
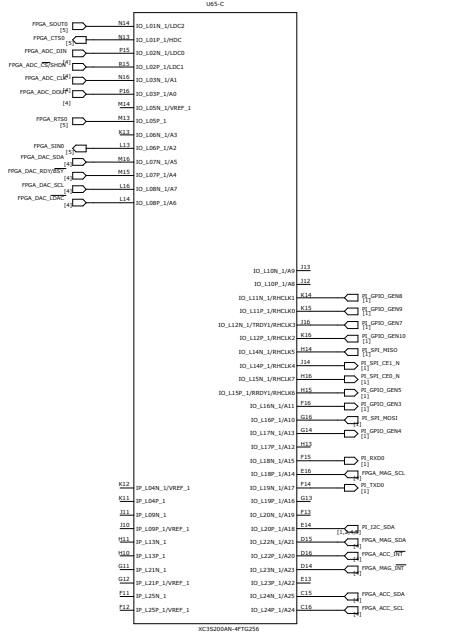
**Bank1 (Right) User IOs**  
**PI\_\* fully swappable within BANK0**  
**Do not move PI\_SPI\_SCLK**  
**Do not move PI\_GPIO\_GCLK**  
**Do not move FPGA\_CLK0**

GREEN = DONE

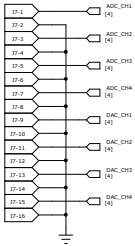
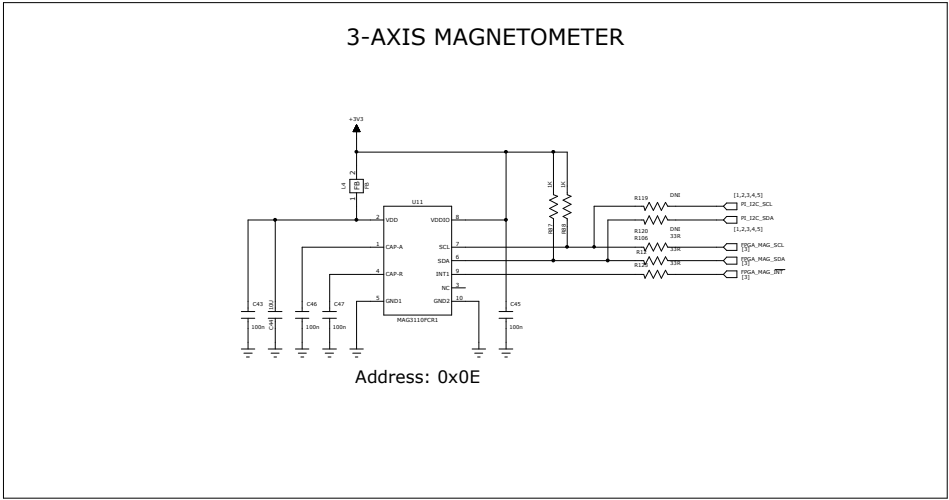
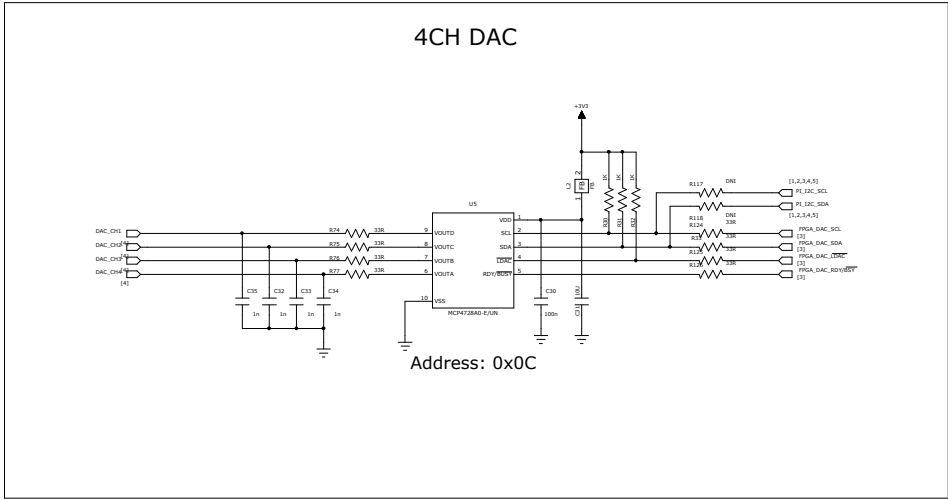
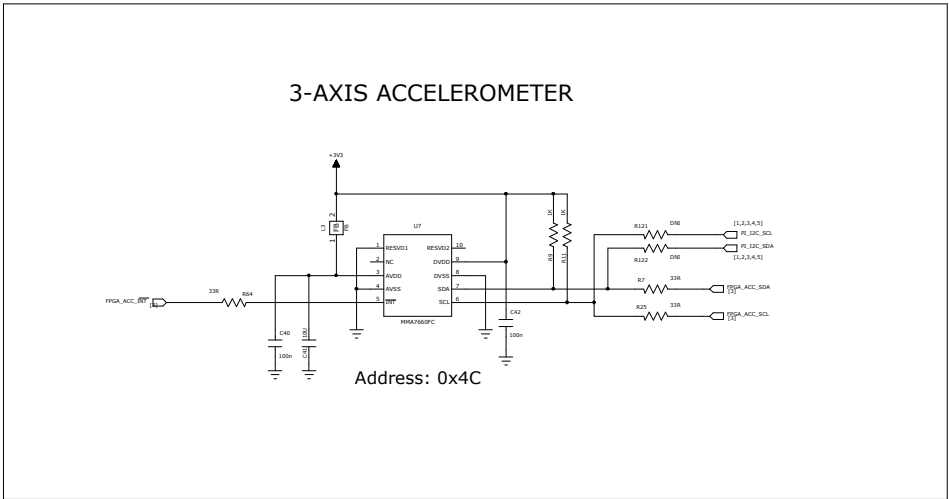
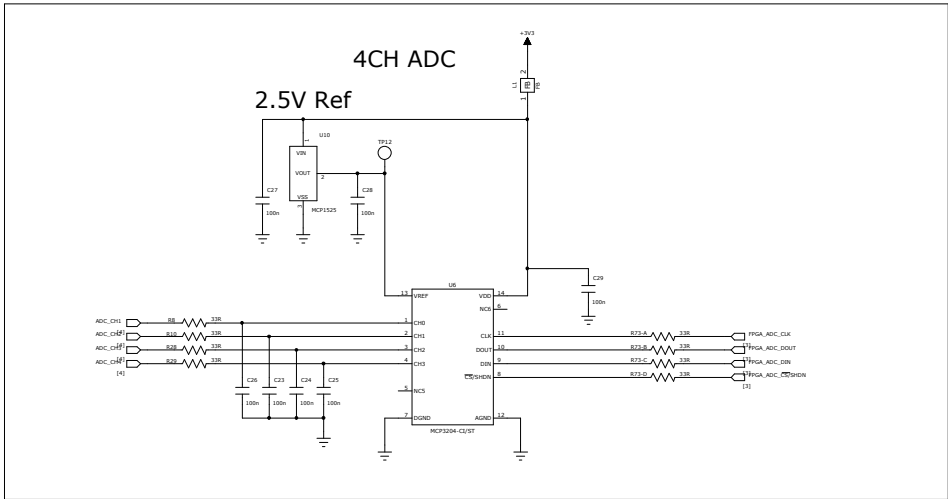
**Bank3 (Left) User IOs**  
**GPIO3 fully swappable within BANK2**  
**Do not use IP\_\* pins**



**Bank0 (Top) User IOs**  
**SW\* Fully swappable within BANK0**  
**FPGA\_EXP\_IO\* Fully swappable in pairs within BANK0**  
**Do not interchange SW\* with FPGA\_EXP\***

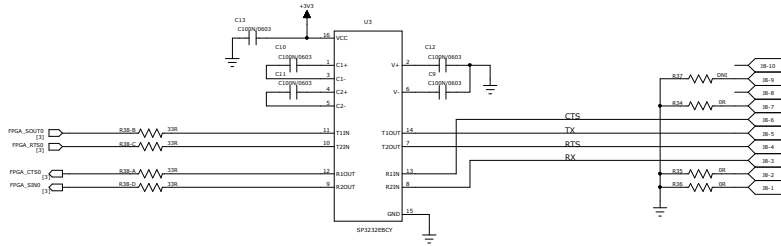


TITLE <b>PIXI-200</b>					
FIRST RELEASED	DRAWING NO.	DRAWN BY	SHEET	CHANGED	ISSUE
22/11/2012	PIXI-200	MC	3 OF 6	15/04/2014	1.1

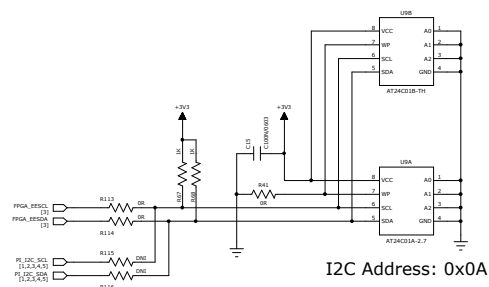


<b>TITLE</b>					
<b>PIXI-200</b>					
FIRST RELEASED	DRAWING NO.	DRAWN BY	SHEET	CHANGED	ISSUE
22/11/2012	PIXI-200	MC	4 OF 6	15/04/2014	1.1

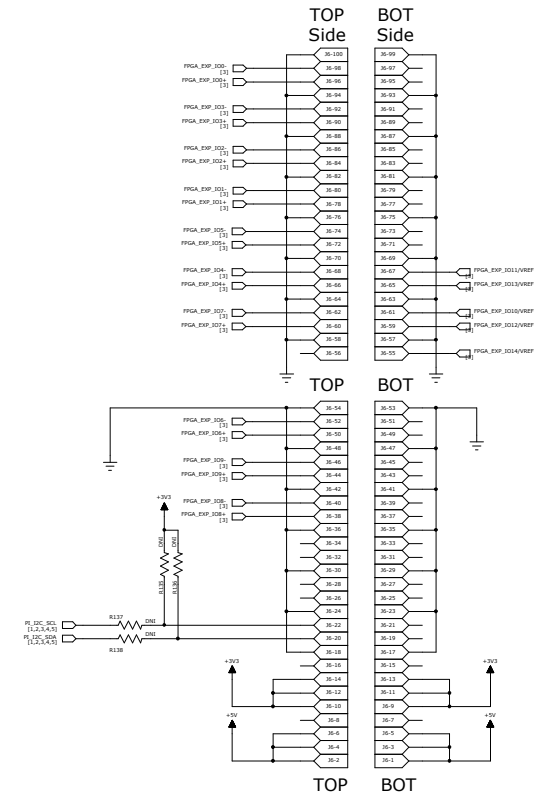
### RS232 SERIAL



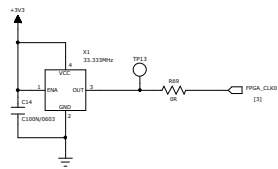
### EEPROM



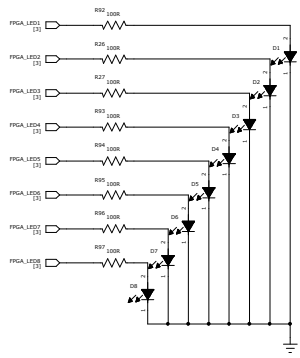
### EXPANSION CONNECTOR



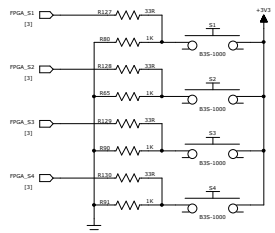
### 33MHZ OSCILLATOR



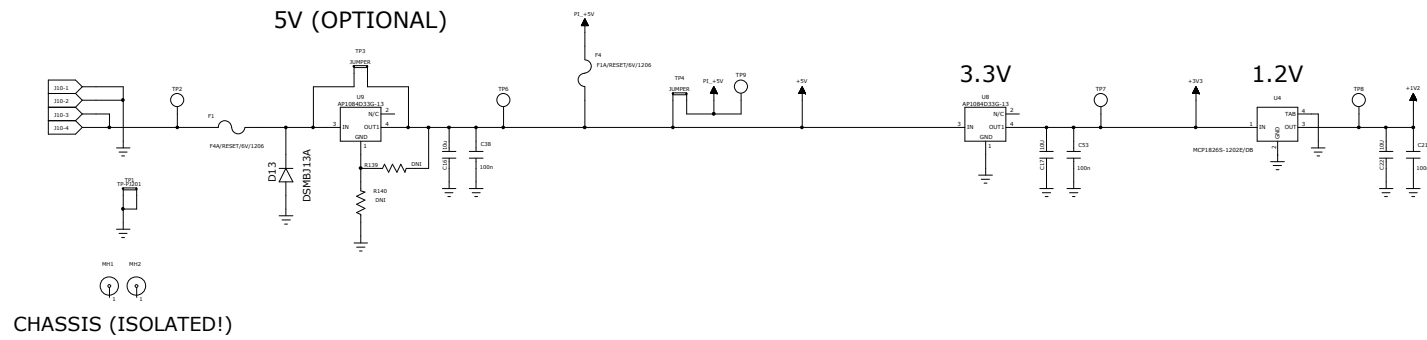
### LEDS



### SWITCHES



TITLE					
<b>PIXI-200</b>					
FIRST RELEASED	DRAWING NO.	DRAWN BY	SHEET	CHANGED	ISSUE
22/11/2012	PIXI-200	MC	5 OF 6	15/04/2014	1.1



TITLE					
<b>PIXI-200</b>					
FIRST RELEASED	DRAWING NO.	DRAWN BY	SHEET	CHANGED	ISSUE
22/11/2012	PIXI-200	MC	6 OF 6	15/04/2014	1.1