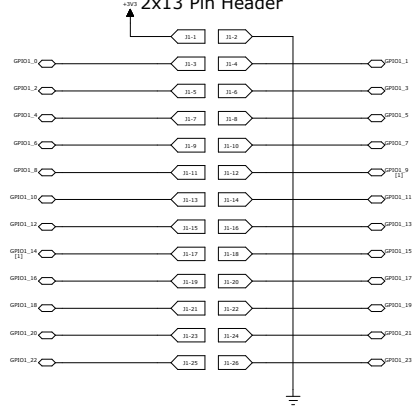
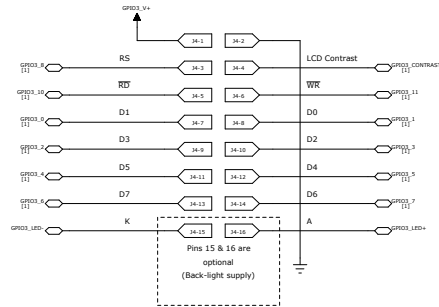


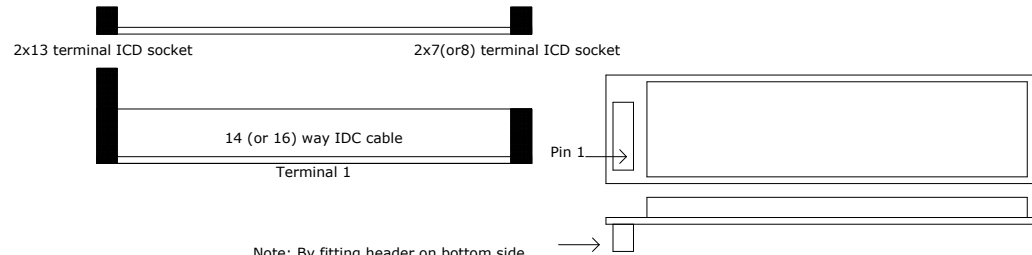
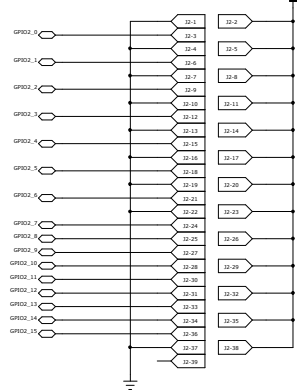
GPIO1 Connector (3.3V GPIO)



**LCD Connector
2x7/8 Pin Header**

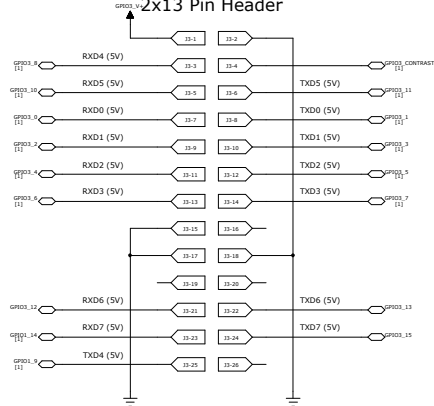


**GPIO2 Connector (O-C GPO)
3x13 Pin Header**



Note: By fitting header on bottom side to make it easier to fit against the inside of a panel this effectively swaps odd / even pins - hence the apparent pin-swap on the connector.

GPIO3 Connector (5V GPIO)



TITLE					
PiXi_APP-LCD					
FIRST RELEASED	DRAWING NO.	DRAWN BY	SHEET	CHANGED	ISSUE
10/03/2014	DRG-00011	MC	1 OF 1	17/04/2014	1.00