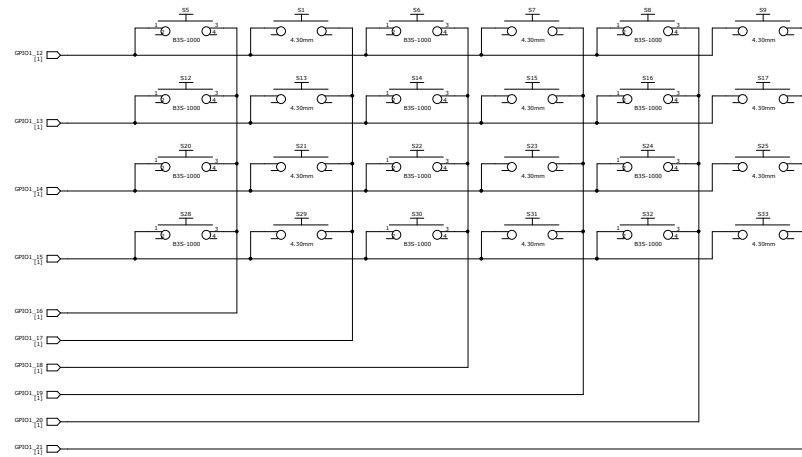
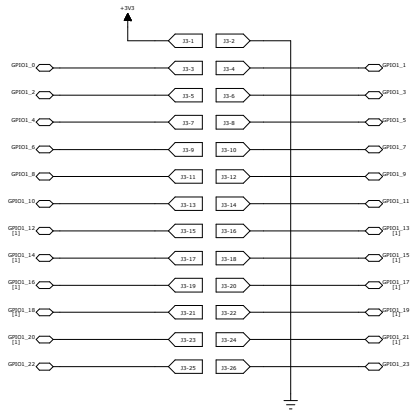


GPIO1 Connector (3.3V GPIO)



TITLE					
PiXi_APP-KEYPAD_6x4					
FIRST RELEASED	DRAWING NO.	DRAWN BY	SHEET	CHANGED	ISSUE
10/03/2014	DRG-00012	MC	1 OF 1	14/04/2014	1.00