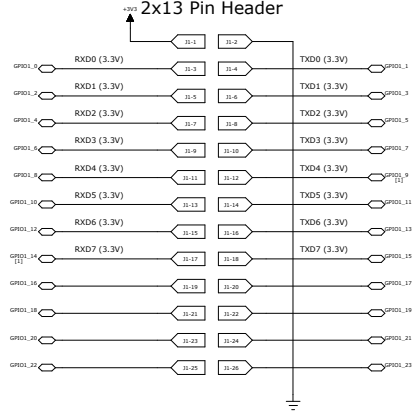
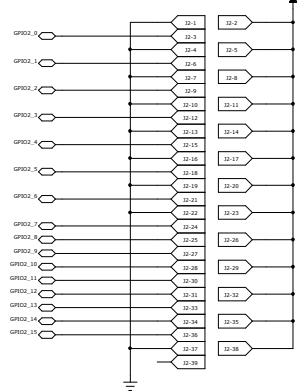


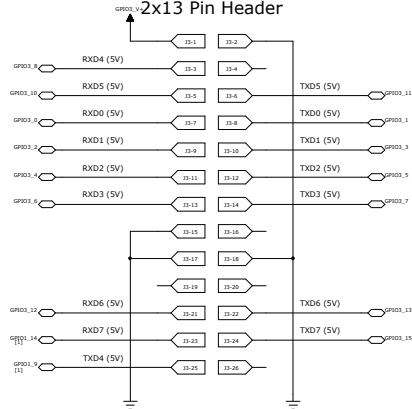
GPIO1 Connector (3.3V GPIO)



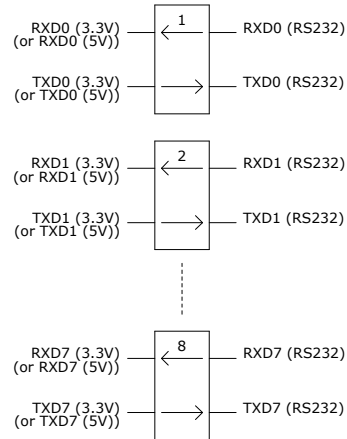
GPIO2 Connector (O-C GPO) 3x13 Pin Header



GPIO3 Connector (5V GPIO)



3.3V (or 5V) to RS232 Level Converter (Optional)



TITLE

PiXi_APP-Serial x 8

FIRST RELEASED
10/03/2014

DRAWING NO.
DRG-00015

DRAWN BY
MC

SHEET
1 OF 1

CHANGED
17/04/2014

ISSUE
1.00