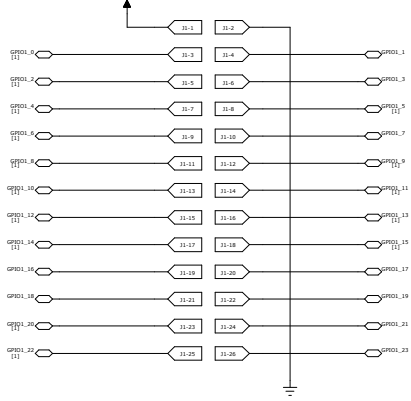
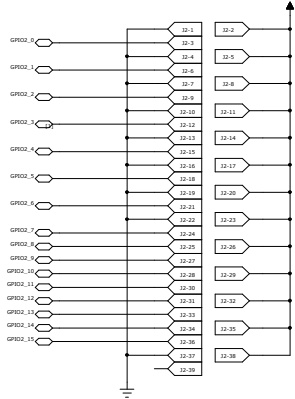


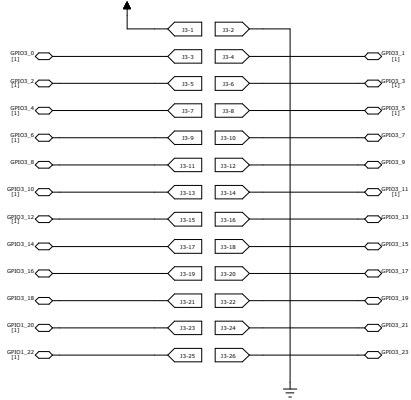
GPIO1 Connector (3.3V GPIO)
2x13 Pin Header



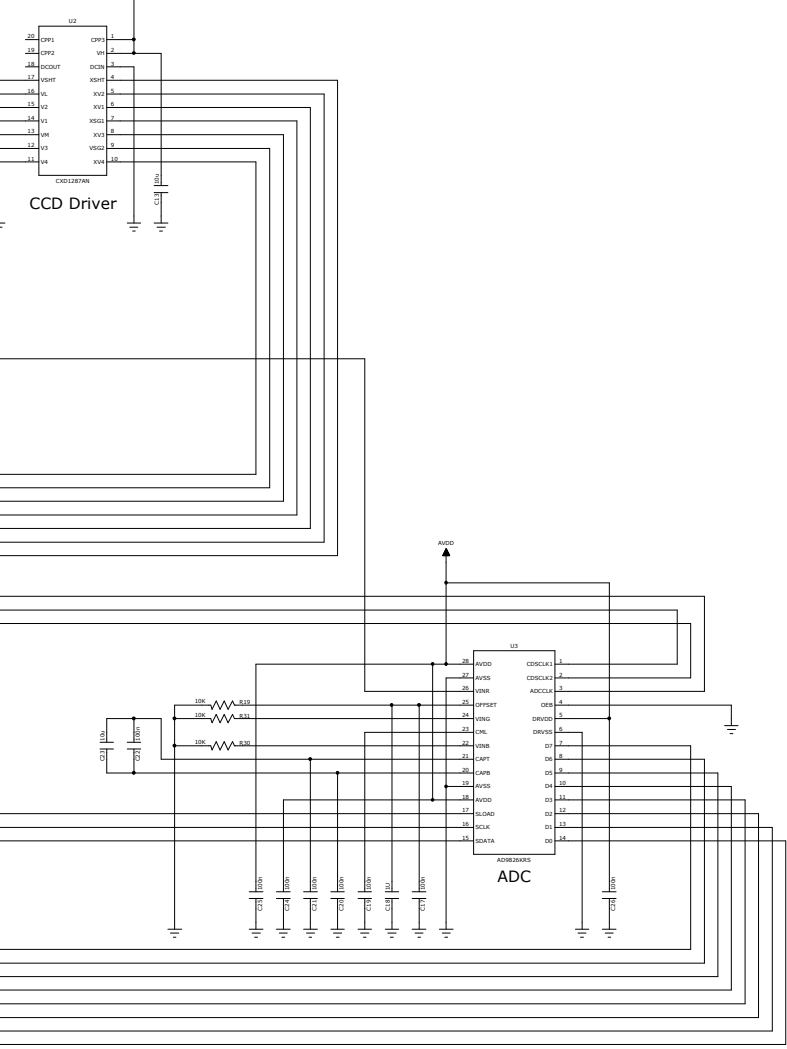
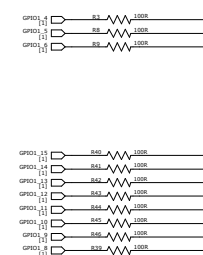
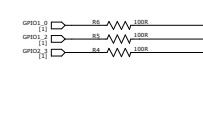
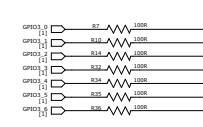
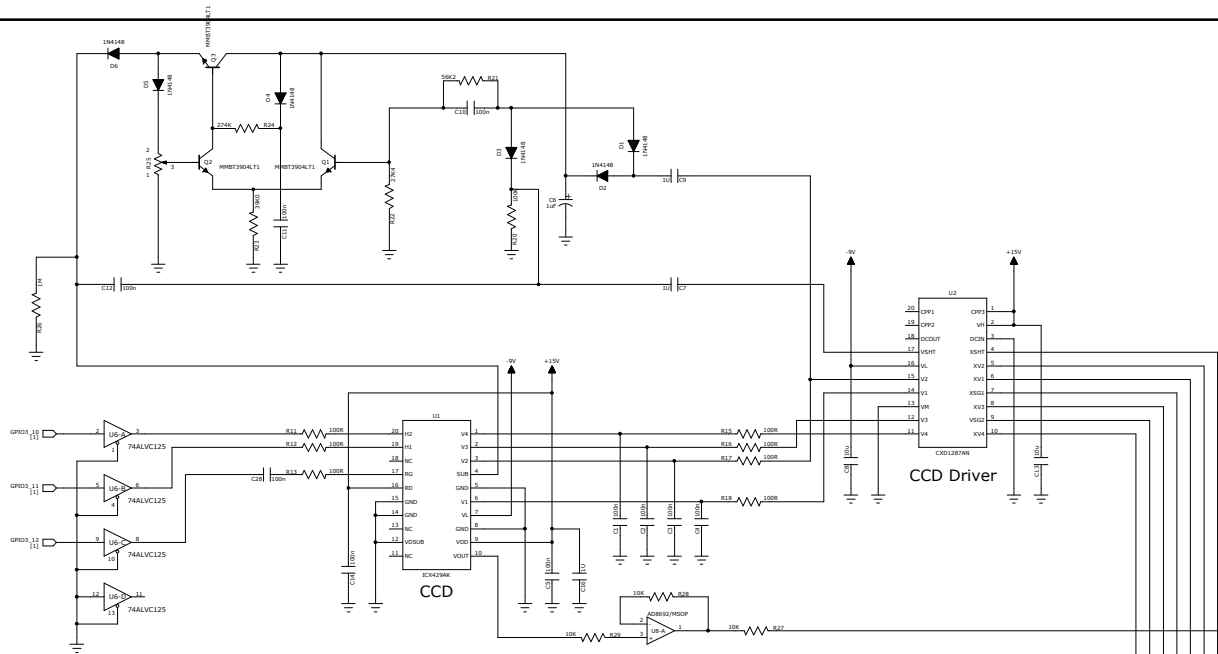
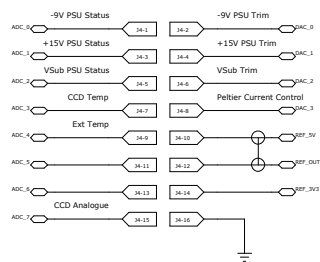
GPIO2 Connector (0-C GPIO)
3x13 Pin Header



GPIO3 Connector (5V GPIO)
2x13 Pin Header



Analogue I/O Connector
2x8 Pin Header



TITLE					
AstroCam2					
FIRST RELEASED	DRAWING NO.	DRAWN BY	SHEET	CHANGED	ISSUE
10/03/2014	DRG-00031	MRC	1 OF 1	15/04/2014	1.0